



KOCO
MOTION

A VARIETY OF APPLICATIONS



PRECISION DC CORELESS MOTOR

1



BRUSHLESS DC MOTOR

2



ELECTRONIC SPEED CONTROLLER

3



PRECISION GEARMOTOR

4



PRECISION SERVO MOTOR

5



DC CORELESS MOTOR

6



FLAT DC MOTOR

7



DC CORE MOTOR

8



MINI STEP MOTOR

9



SONIC MOTOR

10

Overview of the SONIC MOTORS

	Motor No.	Dia x Length (max)	Max. Load Frequency Times/minute	Page
1	1640ZDF	12.00 x 16.00 x 39.80 mm	36000	4
2	1839ZDF	13.50 x 18.30 x 38.80 mm	33600	5
3	2038ZDF	14.00 x 20.30 x 38.30 mm	31000	6
4	2734ZDR	27.00 x 33.50 mm	20400	7

SONIC MOTOR

Our Sonic Motor, featuring novel design and ingenious structure, was granted a national patent. It is characterized by low noise, high frequency, high torque, long lifetime, and mainly used in electric toothbrushes.



Sonic Motor · 1640ZDF

Motor Characteristics			-1-L2-3.7
1	Voltage	V	3.7
2	Resistance	Ω	3.9
3	Operating frequency range	Hz	220 ~ 380
4	No-load vibration frequency	Times/minute	45600
5	No-load current	mA	120
6	Starting torque	mNm	15
7	Starting current	A	0.76
8	Rated load (brush head)	g	3.6
9	Load vibration frequency	Times/minute	36000
10	Load-current	mA	350
11	Rotor inertia	gcm ²	1.2
12	Weight	g	25
13	Operating temperature range	°C	-10 ~ +60

Applications

Electric toothbrush, health care equipment, cleaning equipment, etc.

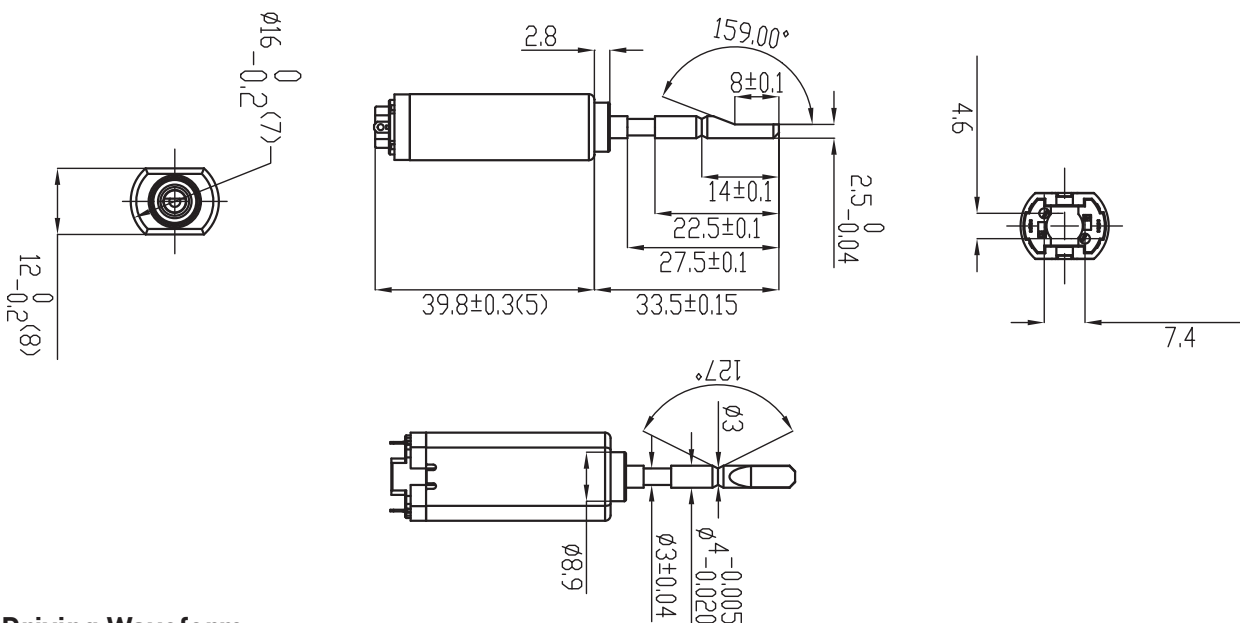
Options

Lead wire
Special shaft

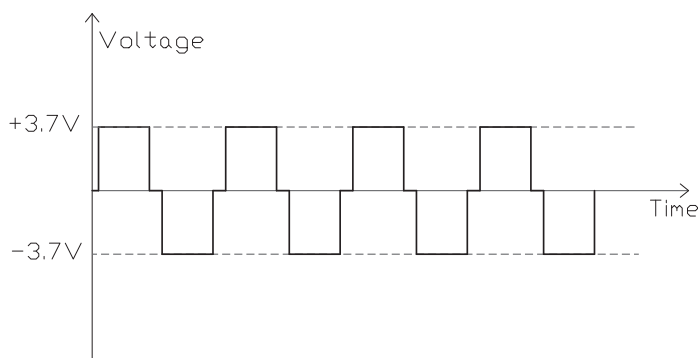
Approx. actual size



Dimension (mm) · 1640ZDF



Driving Waveform



Sonic Motor · 2038ZDF

Motor Characteristics			-3-L4-3.7
1	Voltage	V	3.7
2	Resistance	Ω	3.2
3	Operating frequency range	Hz	230~330
4	No-load vibration frequency	Times/minute	34800
5	No-load current	mA	90
6	Starting torque	mNm	22
7	Starting current	A	1.15
8	Rated load (brush head)	g	4.4
9	Load vibration frequency	Times/minute	31000
10	Load-current	mA	400
11	Rotor inertia	gcm ²	2.4
12	Weight	g	31
13	Operating temperature range	°C	-10 ~ +60

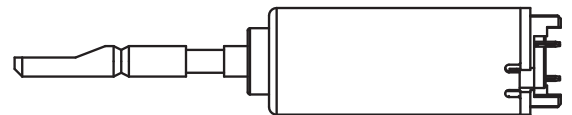
Applications

Electric toothbrush, health care equipment, cleaning equipment, etc.

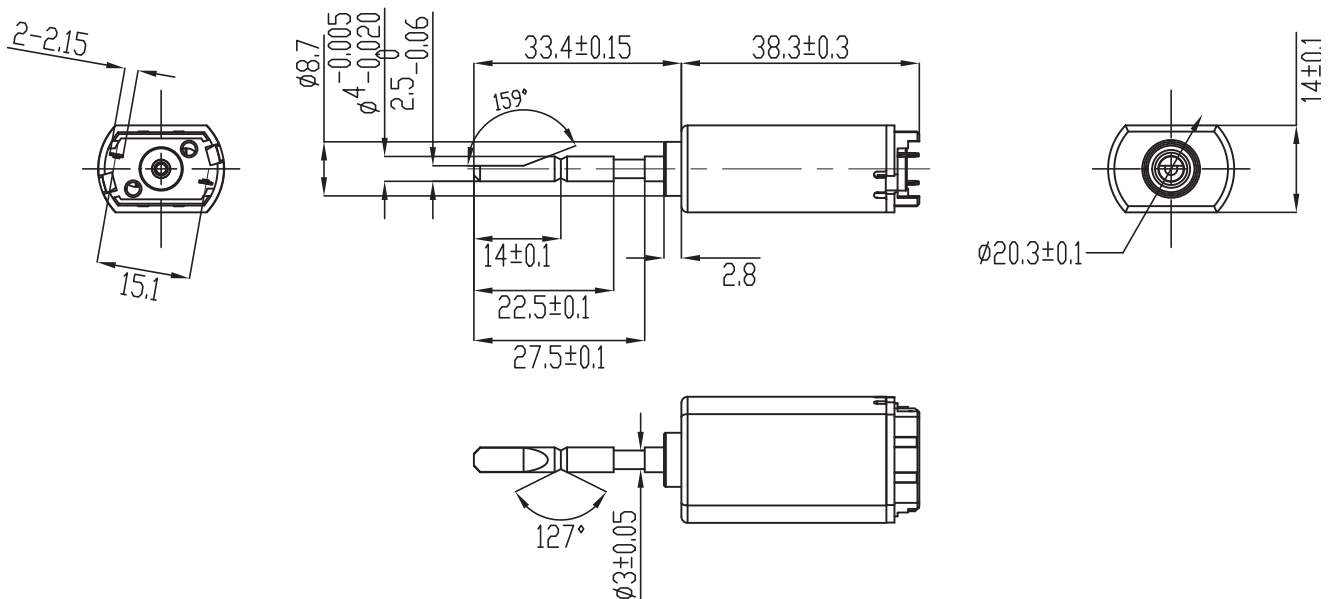
Options

Lead wire
Special shaft

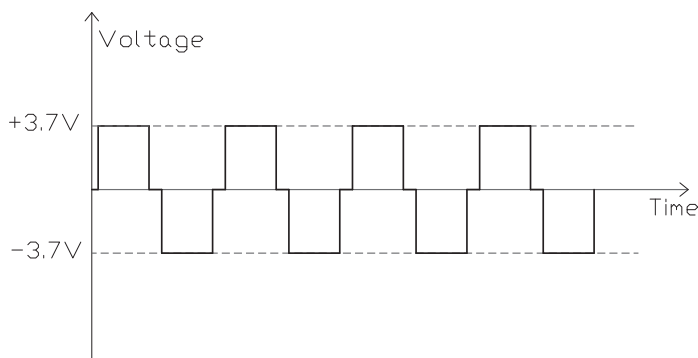
Approx. actual size



Dimension (mm) · 2038ZDF



Driving Waveform



Sonic Motor · 2734ZDR

Motor Characteristics			-1-L2-30-3.7
1	Voltage	V	3.7
2	Resistance	Ω	3
3	Operating frequency range	Hz	100~350
4	No-load vibration frequency	Times/minute	30000
5	No-load current	mA	120
6	Starting torque	mNm	56
7	Starting current	A	1.23
8	Rated load (brush head)	g	10
9	Load vibration frequency	Times/minute	20400
10	Load-current	mA	600
11	Rotor inertia	gcm ²	2.4
12	Weight	g	76
13	Operating temperature range	°C	-10 ~ +60

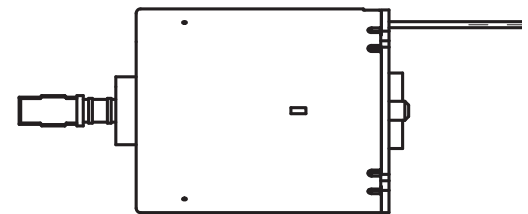
Applications

Washing brush,
facial massager,
health care equipment,
cleaning equipment, etc.

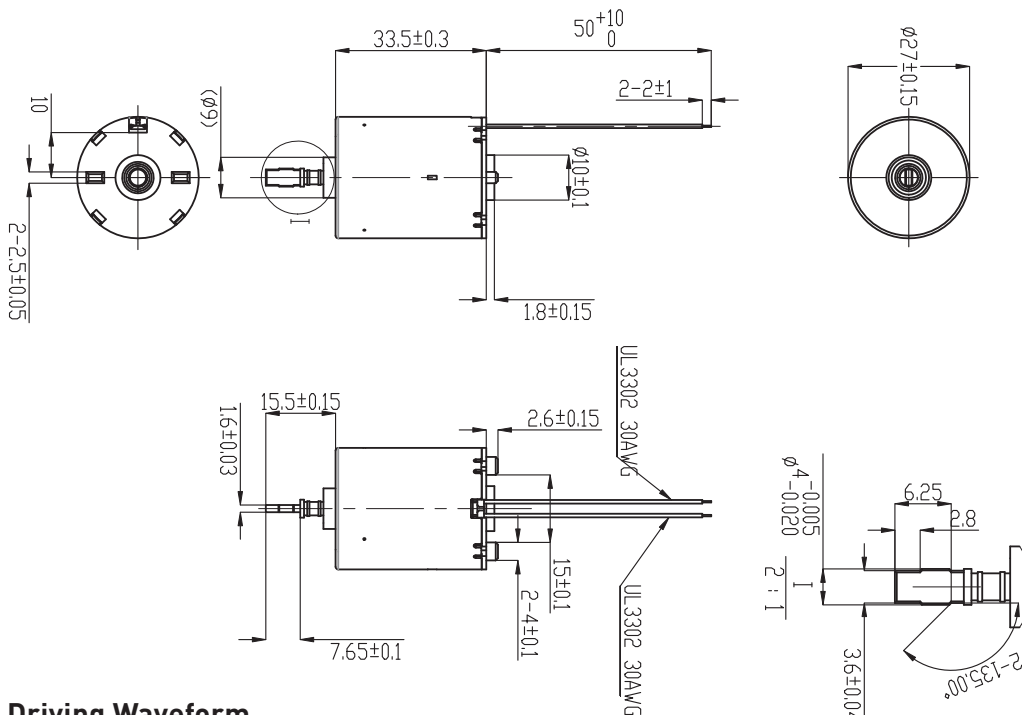
Options

Lead wire
Special shaft

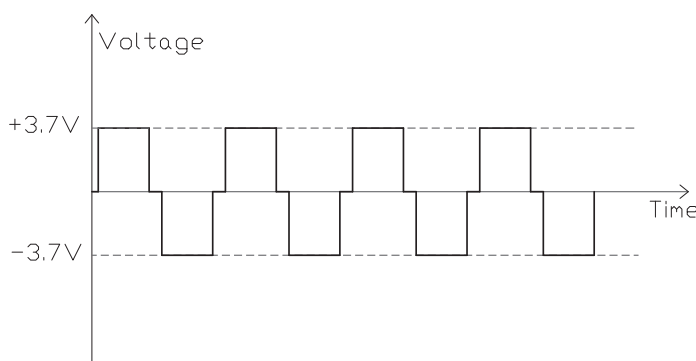
Approx. actual size



Dimension (mm) · 2734ZDR



Driving Waveform





KOCO
MOTION

KOCO MOTION GmbH

Niedereschacher Str. 54
78083 Dauchingen
Germany

Telefon+49 7720 995858-0

Fax +49 7720 995858-99

info@kocomotion.de

www.kocomotion.de