



KOCO
MOTION

A VARIETY OF APPLICATIONS



PRECISION DC CORELESS MOTOR

1



BRUSHLESS DC MOTOR

2



ELECTRONIC SPEED CONTROLLER

3



PRECISION GEARMOTOR

4



PRECISION SERVO MOTOR

5



DC CORELESS MOTOR

6



FLAT DC MOTOR

7



DC CORE MOTOR

8



MINI STEP MOTOR

9



SONIC MOTOR

10

Overview of the FLAT DC MOTORS

	Motor No.	Dia x Length (max)	Max. Power	Page
1	2007RFN	20.00 x 7.20 mm	1.6 W	4
2	0720RFN	7.00 x 2.10 mm		5
3	0820RFN	8.00 x 2.70 mm		6
4	0827RFN	8.00 x 2.70 mm		6
5	0834RFN	8.00 x 2.70 mm		6
6	1020RFN	10.00 x 2.70 mm		7
7	1027RFN	10.00 x 2.70 mm		7
8	1030RFN	10.00 x 2.70 mm		7
9	1034RFN	10.00 x 2.70 mm		7
10	1234RFN	12.00 x 3.40 mm		8

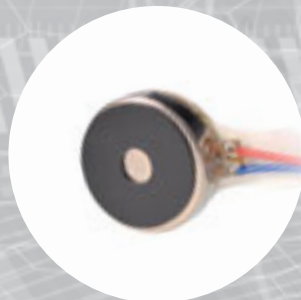
7

Product Introduction



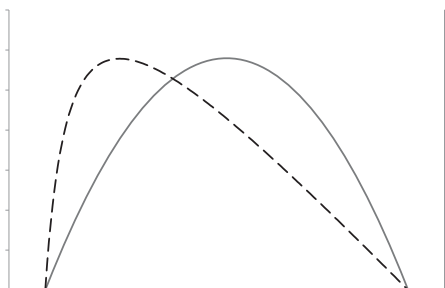
FLAT DC MOTOR

The flat DC motor, featuring novel design structure, practicality and high efficiency, was awarded second prize for technological progress in Shenzhen and granted a national patent. In terms of driving function, it is applicable to mini electronic products and toys with compact installation requirements. In terms of vibration function, it is widely applied to wearable device, mobile phone, tablet PC and health care equipment thanks to its reliable structure of built-in vibrator, flat appearance, easy installation and small size.



Precious Metal Commutation · 2007RFN

Characteristics Curve Model 2007RFN01-40-3.0



Applications

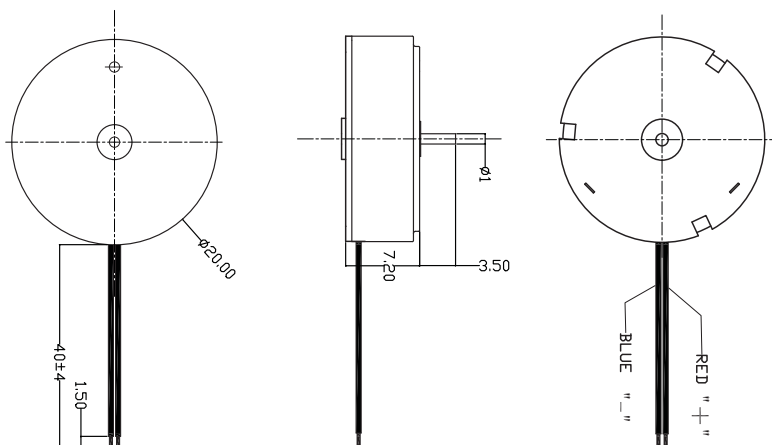
Mini electronic products, toys, etc.

Options

Lead wires length
Special coils

4

Dimension (mm) · 2007RFN



Approx. actual size

Precious Metal Commutation · 0720RFN

Motor Characteristics			0720RFN31-12dp31-3.0
1	Voltage	V	3
2	Terminal resistance	Ω	54/100
3	Speed	rpm	10000
4	Current	mA	70
5	Starting voltage	V	1.5
6	Stall current	mA	90
8	Operating temperature range	°C	-20 ~ +70

Approx. actual size



Applications

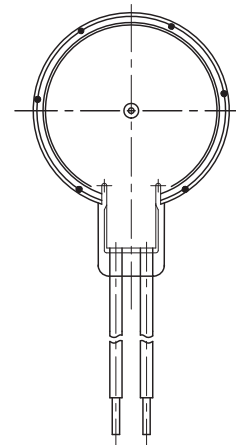
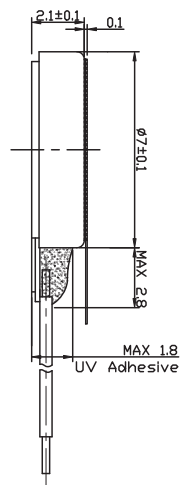
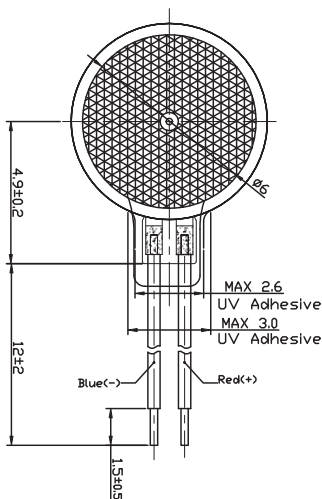
Wearable devices,
health care equipment,
etc.

Options

Lead wires length
Special coils

Dimension (mm)

Model 0720RFN31-12dp31-3.0



Precious Metal Commutation · 0820RFN/0827RFN/0834RFN

Motor Characteristics			0820RFN31-8d-3.0	0827RFN31-20d-3.0	0827RFN32-20d-3.0	0834RFN31-8d-3.0
1	Voltage	V	3	3	3	3
2	Terminal resistance	Ω	30/60	31/62	55/110	28/54
3	Speed	rpm	11000	11000	9000	11000
4	Current	mA	70	70	40	70
5	Starting voltage	V	1.5	1.7	1.7	1.7
6	Stall current	mA	90	80	50	90
8	Operating temperature range	°C	-20 ~ +70	-20 ~ +70	-20 ~ +70	-20 ~ +70

Approx. actual size



Applications

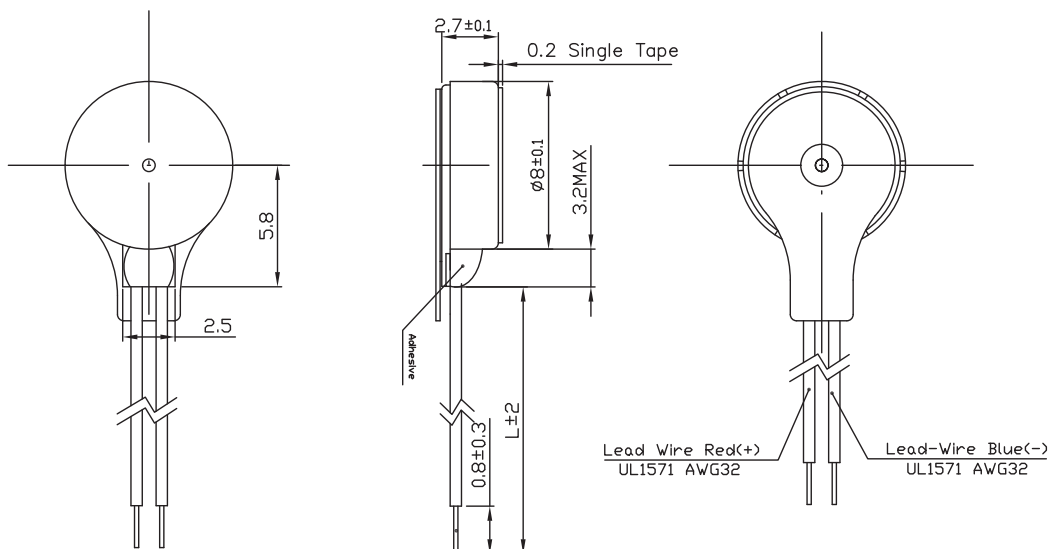
Wearable devices,
health care equipment,
etc.

Options

Lead wires length
Special coils

Dimension (mm)

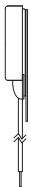
0827RFN31-20d3P4-3.0



Precious Metal Commutation · 1020RFN/1027RFN/1030RFN/1034RFN

Motor Characteristics			1020RFN31-17d-3.0	1027RFN31-17d-3.0	1030RFN31-17d-3.0	1034RFN31-17d-3.0
1	Voltage	V	3	3	3	3
2	Terminal resistance	Ω	30/58	35/66	38/71	32/63
3	Speed	rpm	13500	13500	13500	13500
4	Current	mA	60	55	55	70
5	Starting voltage	V	2.3	2.3	2.3	2.3
6	Stall current	mA	95	90	80	95
8	Operating temperature range	$^{\circ}\text{C}$	-20 ~ +70	-20 ~ +70	-20 ~ +70	-20 ~ +70

Approx. actual size



Applications

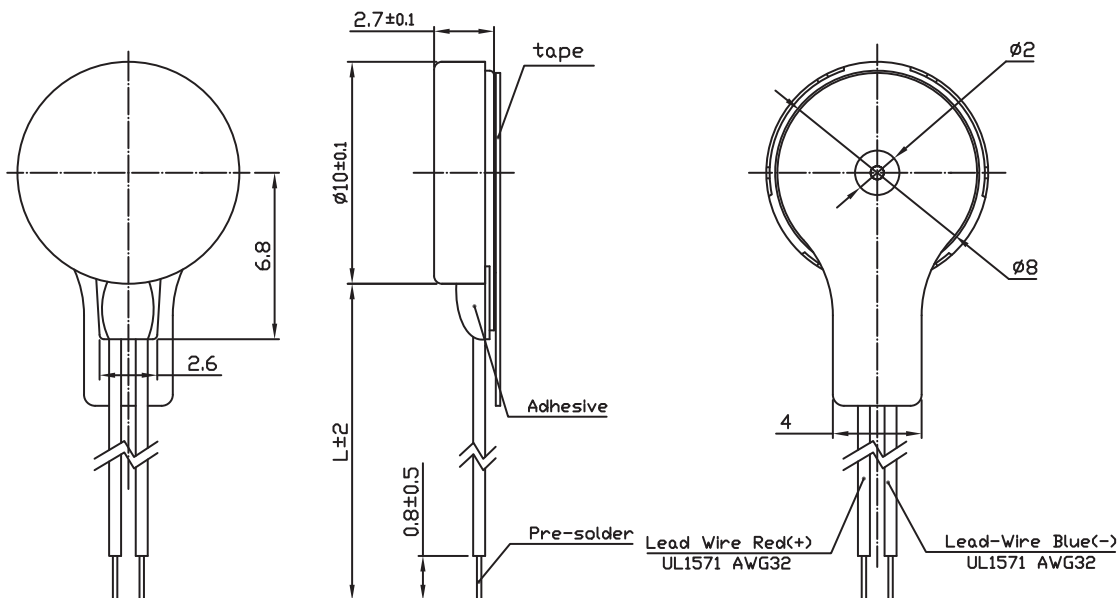
Wearable devices, mobile phones, tablet PCs, health care equipment, etc.

Options

Lead wires length
Special coils

Dimension (mm)

1027RFN31-17d3-3.0



Precious Metal Commutation · 1234RFN

Motor Characteristics		1234RFN31-110d-3.0	
1	Voltage	V	3
2	Terminal resistance	Ω	32/59
3	Speed	rpm	11000
4	Current	mA	60
5	Starting voltage	V	1.7
6	Stall current	mA	90
8	Operating temperature range	°C	-20 ~ +70

Approx. actual size



Applications

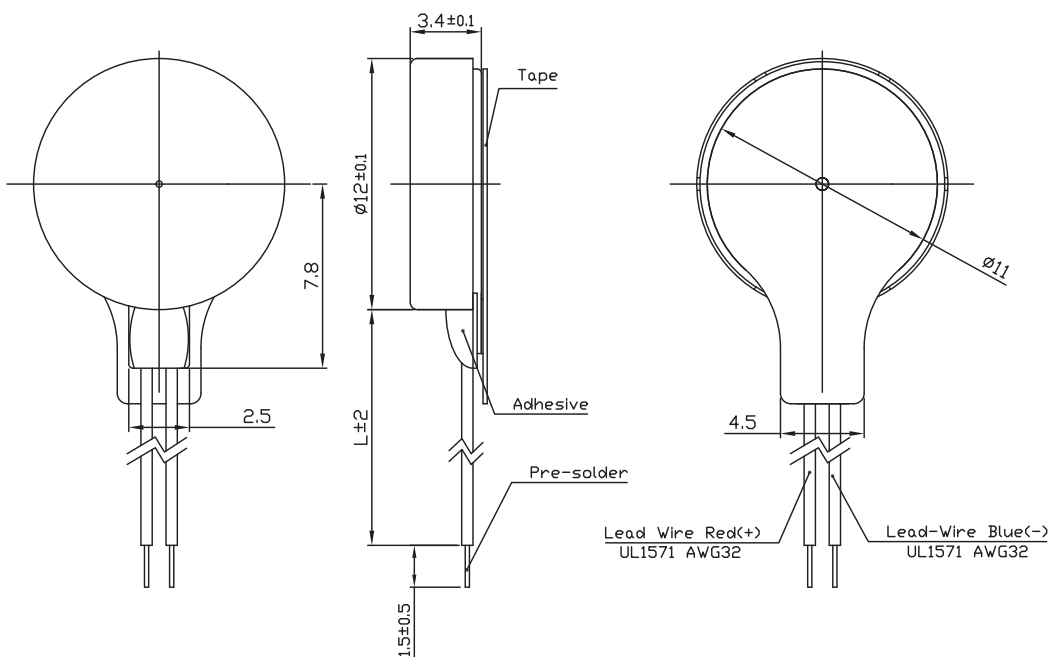
Interphone, gamepad, wearable devices, tablet PCs, health care equipment, etc.

Options

Lead wires length
Special coils

Dimension (mm)

Model 0720RFN31-12dp31-3.0





KOCO
MOTION

KOCO MOTION GmbH

Niedereschacher Str. 54
78083 Dauchingen
Germany

Telefon+49 7720 995858-0

Fax +49 7720 995858-99

info@kocomotion.de

www.kocomotion.de